

DATA SHEET

SV 400/1

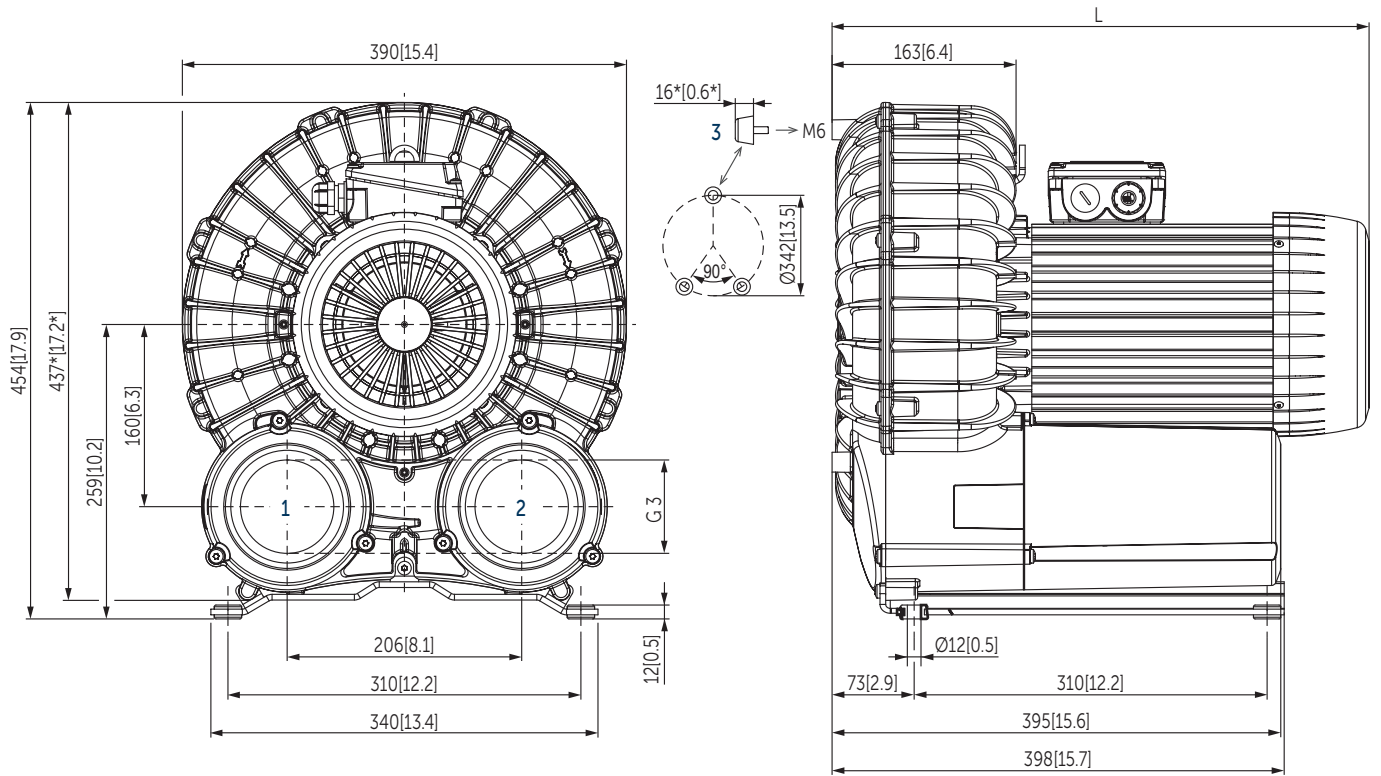
SIDE CHANNEL VACUUM PUMPS

single stage

air-cooled

MAKE IT BECKER.



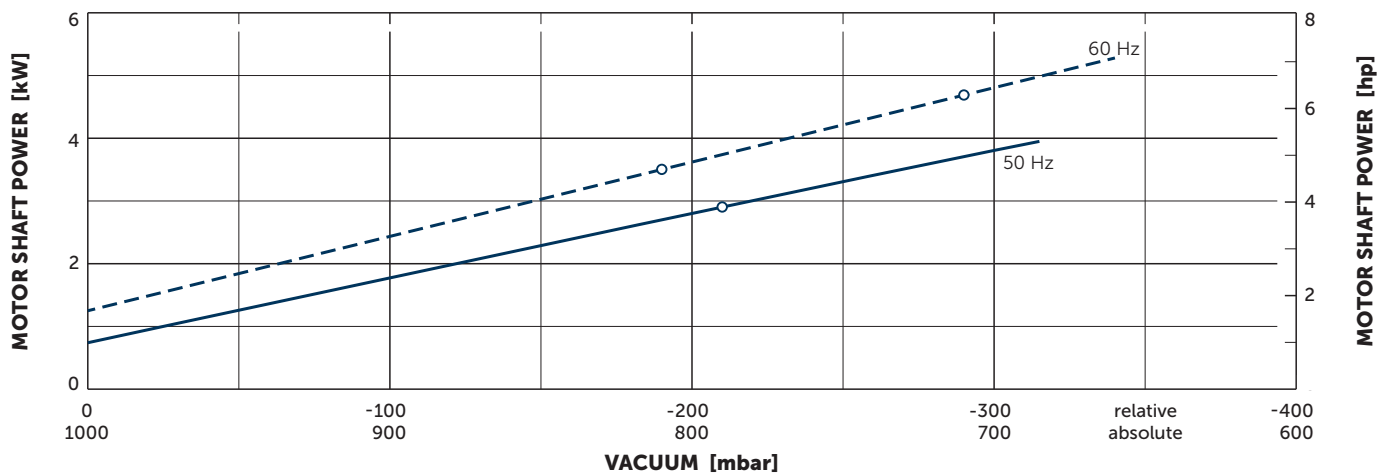
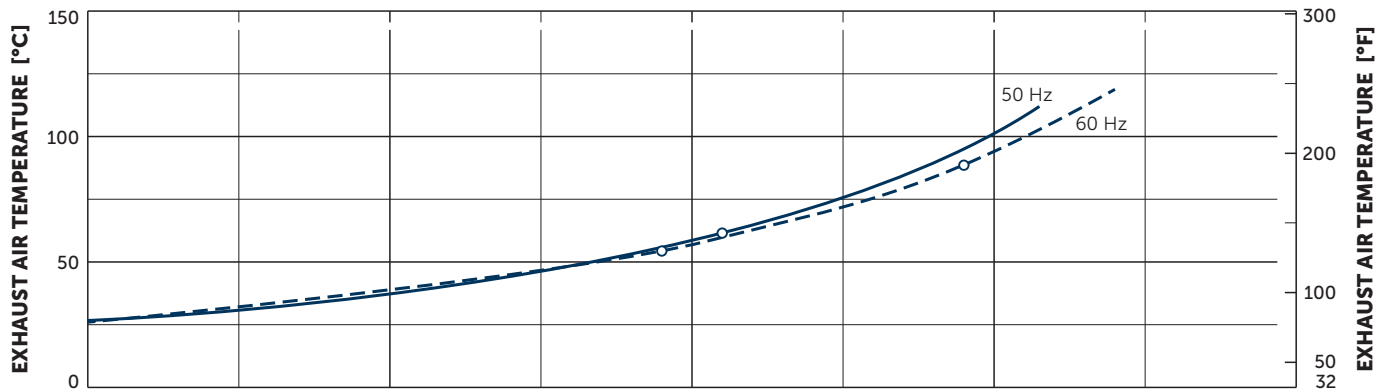
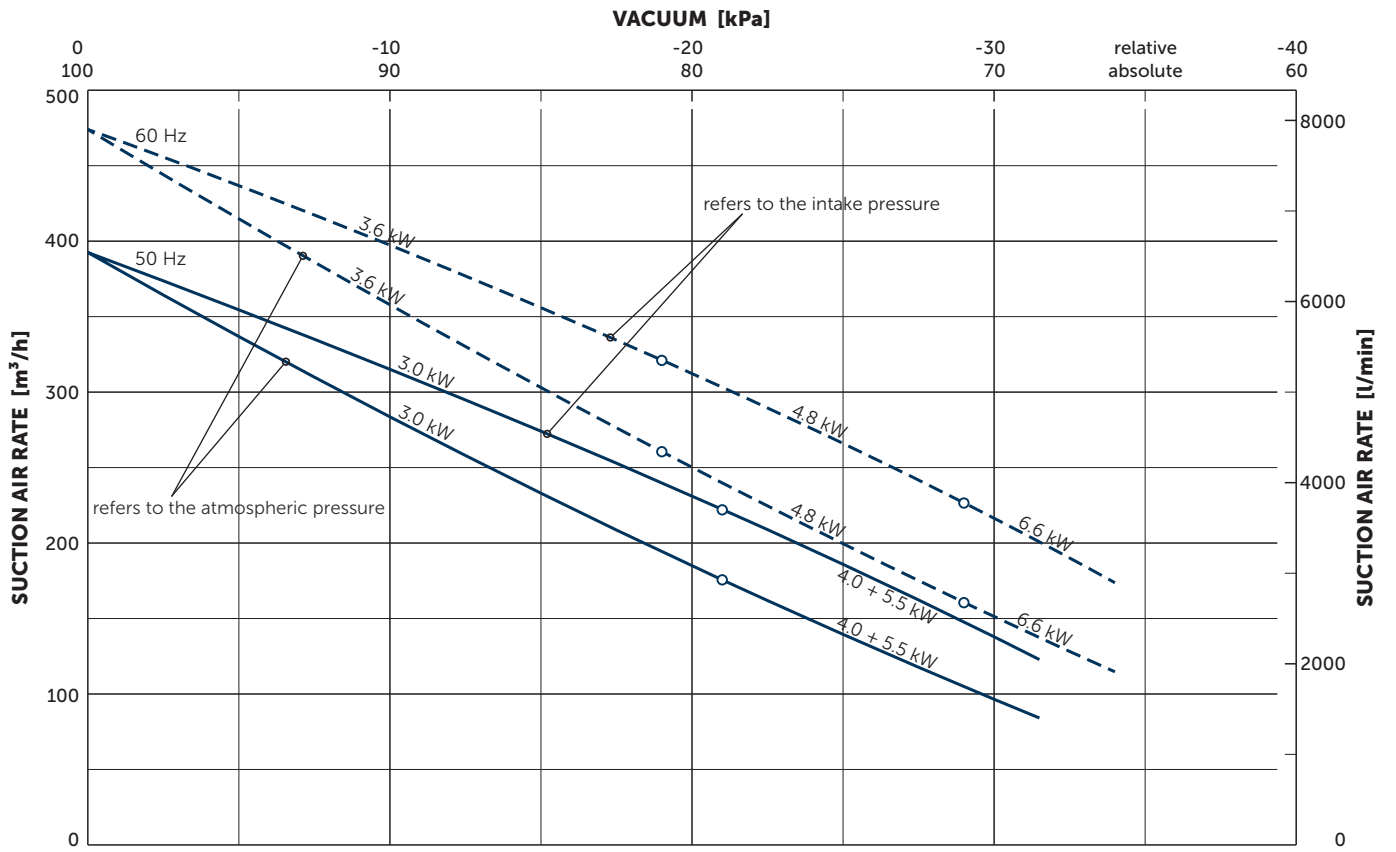


- 1 Vacuum connection (G3)
- 2 Pressure connection (G3)
- 3 Rubber buffer position (optional)
- * Device dimensions without pedestal under the silencer, with rubber buffers on the enclosure cover
- The motor illustration may vary
- Dimensions in mm [inch]

| Suction air rate | | Vacuum relative | | Motors | | Emission sound pressure level ¹⁾ | | Weight with motor | L |
|-------------------|-------|-----------------|-------|--------|-------|---|---------------------|-------------------|------------|
| m ³ /h | | mbar | | kW | | dB(A) | | kg | mm [inch] |
| 50 Hz | 60 Hz | 50 Hz | 60 Hz | 50 Hz | 60 Hz | 50 Hz | 60 Hz | | |
| 390 | 470 | -210 | -190 | 3.0 | 3.6 | 72.5 (-185 mbar) | 74.4 (-185 mbar) | 52.5 | 489 [19.3] |
| 390 | 470 | -315 | -290 | 4.0 | 4.8 | 72.5 (-185 mbar) | 74.4 (-185 mbar) | 53.0 | 502 [19.8] |
| 390 | 470 | -315 | -340 | 5.5 | 6.6 | 74.5 (-200 mbar) | 74.0 (-200 mbar) | 54.5 | 536 [21.1] |

¹⁾ According to DIN EN ISO 11203, accuracy class of measurement: class 2, extended measurement uncertainty: 3 dB
1 m [39.4 inch] distance, at medium load, both connection sides piped

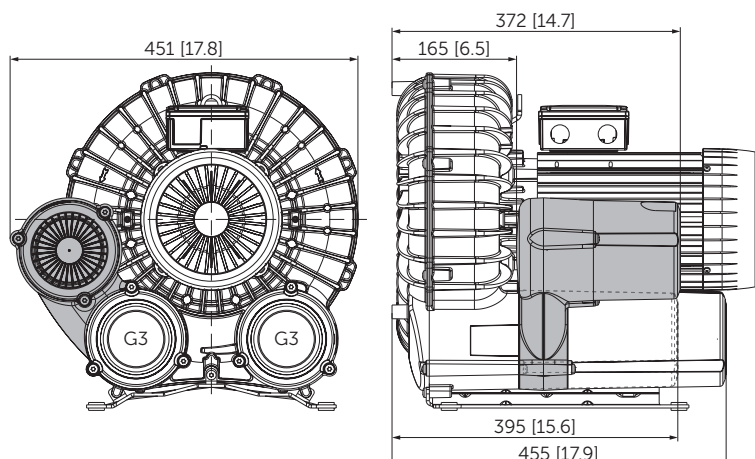
| 3~ Motors | | | | | | | | | | | |
|-----------|-------|-----------|-----|-------------------|-----------|-------|---------------|-----|-------------------|----------------|---------------------------------------|
| # | 50 Hz | | | | | 60 Hz | | | | | Version |
| | kW | V | IE3 | min ⁻¹ | A | kW | V | IE3 | min ⁻¹ | A | |
| 01 | 3.0 | Δ230/Y400 | IE3 | 2940 | 10.9/6.3 | 3.6 | Δ265/Y460 | IE3 | 3530 | 10.8/6.25 | UL/CSA IP55, ISO F, bimetal |
| | | | | | | | Δ230/Y400 | IE3 | 3505 | 11.5/6.6 | |
| 02 | | | | | | 3.6 | YY230/Y460 | IE3 | 3525 | 12.0/6.0 | UL/CSA/CC301B IP55, ISO F, bimetal |
| | | | | | | | YY208/Y – | IE3 | 3505 | 12.7/ – | |
| 03 | 3.0 | Δ200/Y350 | IE3 | 2940 | 12.6/7.3 | 3.6 | Δ220/Y380–400 | IE3 | 3530 | 12.6/7.3–7.2 | IP55, ISO F, bimetal |
| | | | | | | | Δ200/Y350 | IE3 | 3505 | 13.2/7.55 | |
| 04 | 4.0 | Δ230/Y400 | IE3 | 2930 | 14.6/8.4 | 4.8 | Δ265/Y460 | IE3 | 3520 | 14.3/8.25 | UL/CSA IP55, ISO F, bimetal |
| | | | | | | | Δ230/Y400 | IE3 | 3490 | 15.4/8.85 | |
| 05 | | | | | | 4.8 | YY230/Y460 | IE3 | 3520 | 16.5/8.25 | UL/CSA IP55, ISO F, bimetal |
| | | | | | | | YY208/Y – | – | 3500 | 17.1/ – | |
| 06 | 4.0 | Δ200/Y350 | IE3 | 2930 | 16.6/9.6 | 4.8 | Δ220/Y380–400 | IE3 | 3520 | 16.6/9.6–9.45 | IP55, ISO F, bimetal |
| | | | | | | | Δ200/Y350 | IE3 | 3490 | 17.7/10.1 | |
| 07 | 5.5 | Δ400/Y – | IE3 | 2930 | 11.9/ – | 6.6 | Δ460/Y – | IE3 | 3520 | 11.5/ – | UL/CSA IP55, ISO F, bimetal |
| | | | | | | | Δ400/Y – | IE3 | 3520 | 10.2/ – | |
| 08 | | | | | | 6.6 | Δ230/Y460 | IE3 | 3530 | 21.4/12.4 | UL/CSA IP55, ISO F, bimetal |
| | | | | | | | Δ208/Y – | – | 3465 | 23.2/ – | |
| 09 | 5.5 | Δ200/Y350 | IE3 | 2935 | 26.9/15.4 | 6.6 | Δ220/Y380–400 | IE3 | 3530 | 24.0/14.3–13.9 | IP55, ISO F, bimetal |
| | | | | | | | Δ200/Y350 | IE3 | 3500 | 24.7/14.1 | |



Reference data (atmosphere): 1000 mbar (100 kPa), 20°C (68°F)
 Tolerance: ±10%
 Temperature: Ambient air -10°C ... 40°C (14°F ... 104°F), Inlet air 0°C ... 40°C (32°F ... 104°F)

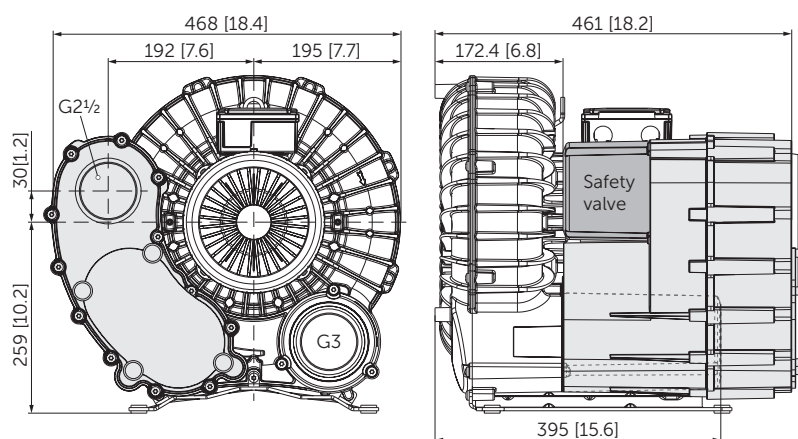
+ VARIANTS AND ACCESSORIES

VACUUM SAFETY VALVE



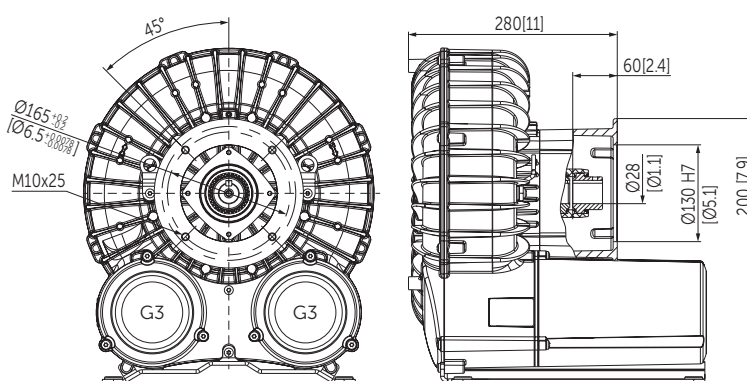
SUCTION FILTER

- Vacuum-sealed filter housing
- Paper or polyester insert
- Can be combined with vacuum safety valve



WITHOUT MOTOR

- With coupling for flange motor
- The motor must be supported!



OTHER VARIANTS AND ACCESSORIES

- With increased corrosion protection
- VARIAIR SV 400/1 with frequency inverter VAU11-22/3 for 100 Hz operation¹⁾
- Sound proof box SH 18¹⁾ – Not with 5.5/6.6 kW motors!

¹⁾ See separate data sheet

- Dimensions in mm [inch] – For other dimensions, see the figure on page 2.
- Possible combinations on request



Sound proof box SH 18



MAKE IT BECKER.